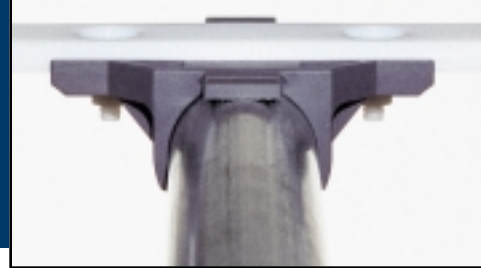


# Intralox

**PRODUCT HIGHLIGHT**  
Modular Plastic Conveyor Belts

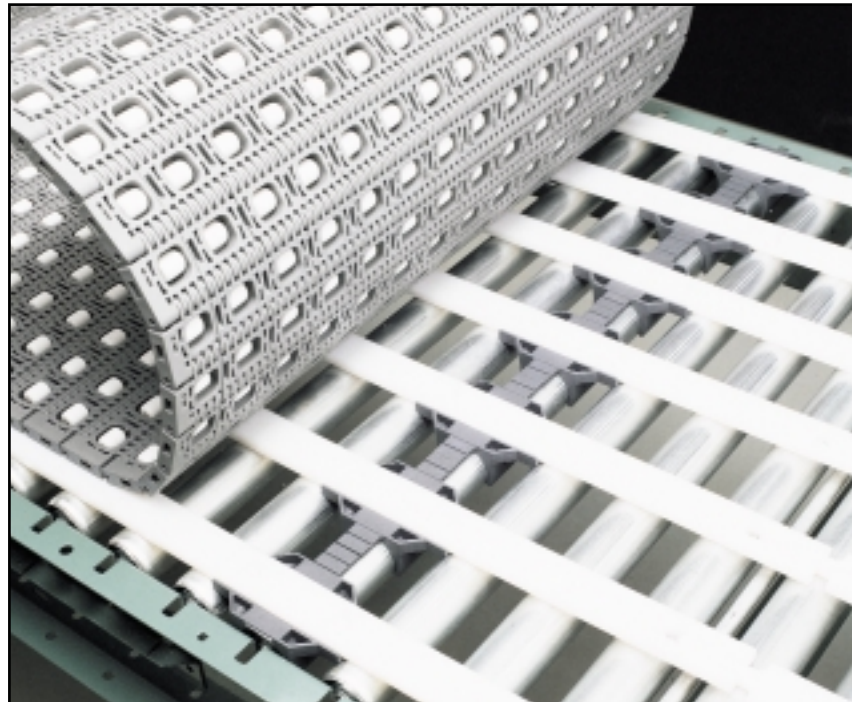


## New EZ Retrofit components make roller retrofits easier than ever.

### EZ Retrofit Snap-On Carryway & Snap-On Component

Intralox's new EZ Retrofit system has been developed in response to customers who want to enjoy the benefits of roller retrofit, but want the benefits **now!**

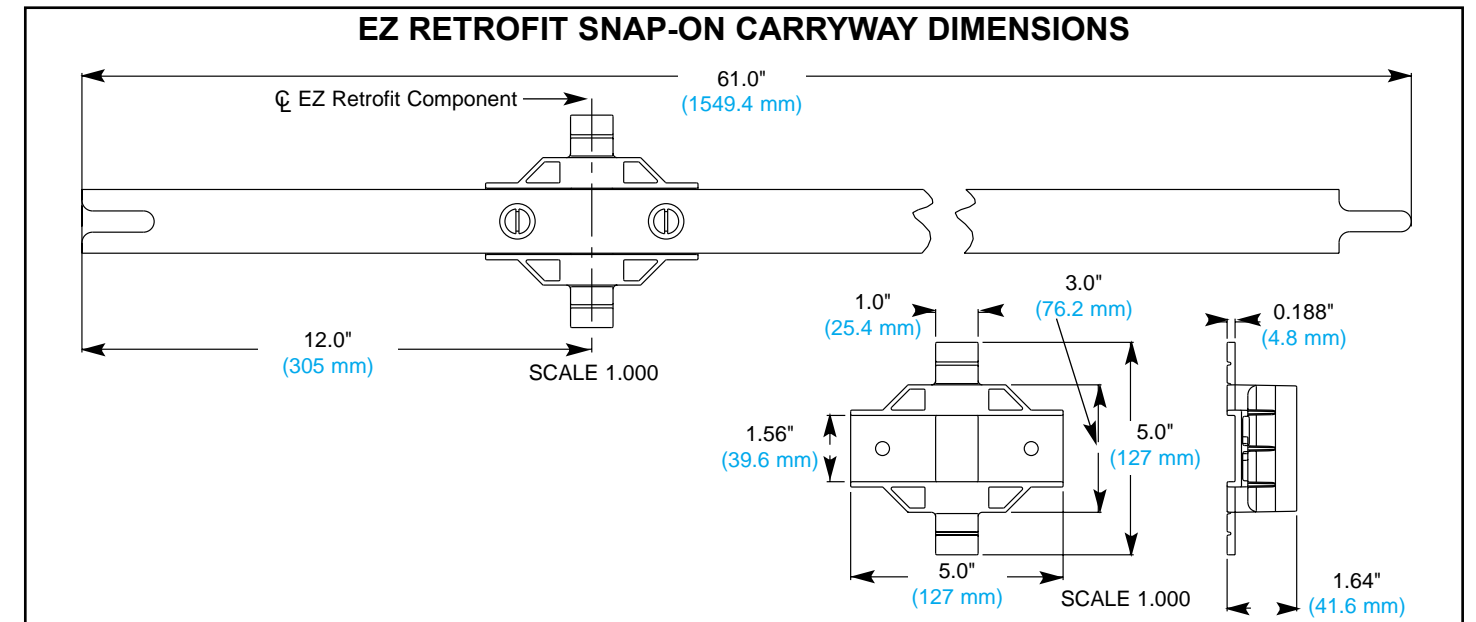
Those customers have become accustomed to dealing with the maintenance, downtime and other operational costs of roller conveyors. Many of them are finding the idea of retrofitting their roller conveyors to modular plastic conveyor belts to be a practical solution to those problems. But they want to do it as quickly and easily as possible. **Now they can, with the new EZ Retrofit Snap-On Carryway.**



The **EZ Retrofit Carryway** is a section of a 1.5 in. (W) by 60 in. (L) by 3/8 in. thick, UHMW wearstrip attached to a composite, polypropylene snap-on housing. Installation is simple - the unit snaps directly onto existing 1.9 in. or 50 mm diameter rollers without the need for tools, or any modification to the rollers or the conveyor itself.

The wearstrips are installed side by side the full width of the conveyor, and end to end, the length of the conveyor. The tongue and grooved ends allow for thermal expansion and contraction. The side by side placement limits the units' lateral movement and helps provide a full bed for the conveyor belts. The tabbed design of the components makes them easily adaptable to most conveyor widths.

The EZ Retrofit components offer an easier solution to equip roller conveyors with the proven performance of Intralox Belting.



**Necessary Quantities of Roller Retrofit Assemblies for Inside Frame Widths and Conveyor Lengths**

Inside Frame Width	Conveyor Length																			
	5 ft.	10 ft.	15 ft.	20 ft.	25 ft.	30 ft.	35 ft.	40 ft.	45 ft.	50 ft.	55 ft.	60 ft.	65 ft.	70 ft.	75 ft.	80 ft.	85 ft.	90 ft.	95 ft.	100 ft.
10 in.	3	6	9	12	15	18	21	24	27	30	33	36	39	42	45	48	51	54	57	60
11 in.	3	6	9	12	15	18	21	24	27	30	33	36	39	42	45	48	51	54	57	60
12 in.	3	6	9	12	15	18	21	24	27	30	33	36	39	42	45	48	51	54	57	60
13 in.	3	6	9	12	15	18	21	24	27	30	33	36	39	42	45	48	51	54	57	60
14 in.	4	8	12	16	20	24	28	32	36	40	44	48	52	56	60	64	68	72	76	80
15 in.	4	8	12	16	20	24	28	32	36	40	44	48	52	56	60	64	68	72	76	80
16 in.	4	8	12	16	20	24	28	32	36	40	44	48	52	56	60	64	68	72	76	80
17 in.	4	8	12	16	20	24	28	32	36	40	44	48	52	56	60	64	68	72	76	80
18 in.	4	8	12	16	20	24	28	32	36	40	44	48	52	56	60	64	68	72	76	80
19 in.	5	10	15	20	25	30	35	40	45	50	55	60	65	70	75	80	85	90	95	100
20 in.	5	10	15	20	25	30	35	40	45	50	55	60	65	70	75	80	85	90	95	100
21 in.	5	10	15	20	25	30	35	40	45	50	55	60	65	70	75	80	85	90	95	100
22 in.	5	10	15	20	25	30	35	40	45	50	55	60	65	70	75	80	85	90	95	100
23 in.	5	10	15	20	25	30	35	40	45	50	55	60	65	70	75	80	85	90	95	100
24 in.	6	12	18	24	30	36	42	48	54	60	66	72	78	84	90	96	102	108	114	120
25 in.	6	12	18	24	30	36	42	48	54	60	66	72	78	84	90	96	102	108	114	120
26 in.	6	12	18	24	30	36	42	48	54	60	66	72	78	84	90	96	102	108	114	120
27 in.	6	12	18	24	30	36	42	48	54	60	66	72	78	84	90	96	102	108	114	120
28 in.	6	12	18	24	30	36	42	48	54	60	66	72	78	84	90	96	102	108	114	120
29 in.	7	14	21	28	35	42	49	56	63	70	77	84	91	98	105	112	119	126	133	140
30 in.	7	14	21	28	35	42	49	56	63	70	77	84	91	98	105	112	119	126	133	140
31 in.	7	14	21	28	35	42	49	56	63	70	77	84	91	98	105	112	119	126	133	140
32 in.	7	14	21	28	35	42	49	56	63	70	77	84	91	98	105	112	119	126	133	140
33 in.	7	14	21	28	35	42	49	56	63	70	77	84	91	98	105	112	119	126	133	140
34 in.	8	16	24	32	40	48	56	64	72	80	88	96	104	112	120	128	136	144	152	160
35 in.	8	16	24	32	40	48	56	64	72	80	88	96	104	112	120	128	136	144	152	160
36 in.	8	16	24	32	40	48	56	64	72	80	88	96	104	112	120	128	136	144	152	160
37 in.	8	16	24	32	40	48	56	64	72	80	88	96	104	112	120	128	136	144	152	160
38 in.	8	16	24	32	40	48	56	64	72	80	88	96	104	112	120	128	136	144	152	160
39 in.	9	18	27	36	45	54	63	72	81	90	99	108	117	126	135	144	153	162	171	180
40 in.	9	18	27	36	45	54	63	72	81	90	99	108	117	126	135	144	153	162	171	180
41 in.	9	18	27	36	45	54	63	72	81	90	99	108	117	126	135	144	153	162	171	180
42 in.	9	18	27	36	45	54	63	72	81	90	99	108	117	126	135	144	153	162	171	180
43 in.	9	18	27	36	45	54	63	72	81	90	99	108	117	126	135	144	153	162	171	180
44 in.	10	20	30	40	50	60	70	80	90	100	110	120	130	140	150	160	170	180	190	200
45 in.	10	20	30	40	50	60	70	80	90	100	110	120	130	140	150	160	170	180	190	200
46 in.	10	20	30	40	50	60	70	80	90	100	110	120	130	140	150	160	170	180	190	200
47 in.	10	20	30	40	50	60	70	80	90	100	110	120	130	140	150	160	170	180	190	200
48 in.	10	20	30	40	50	60	70	80	90	100	110	120	130	140	150	160	170	180	190	200

**INTRALOX Inc. USA** 201 Laitram Lane • Harahan, Louisiana 70123 • USA  
Tel: (504) 733-0463 • Fax: (504) 734-0063 • Internet: <http://www.intralox.com>

**INTRALOX Ltd.** Building 90, Third Avenue, Pensnett Trading Estate  
Kingswinford, West Midlands DY6 7PP • UK

**INTRALOX Inc. EUROPE** Lemelerbergweg 20 • 1101 AJ Amsterdam Z.O • The Netherlands  
Tel: +31-20-430 36 00 • Fax: +31-20-691 06 15

**INTRALOX Inc., JAPAN BRANCH OFFICE** 37 Yamano-cho, Funabashi-city • Chiba 273 • Japan  
**INTRALOX AUSTRALIA PTY. LTD.** P.O. Box 155 • Somerton 3062 • Melbourne, Australia

